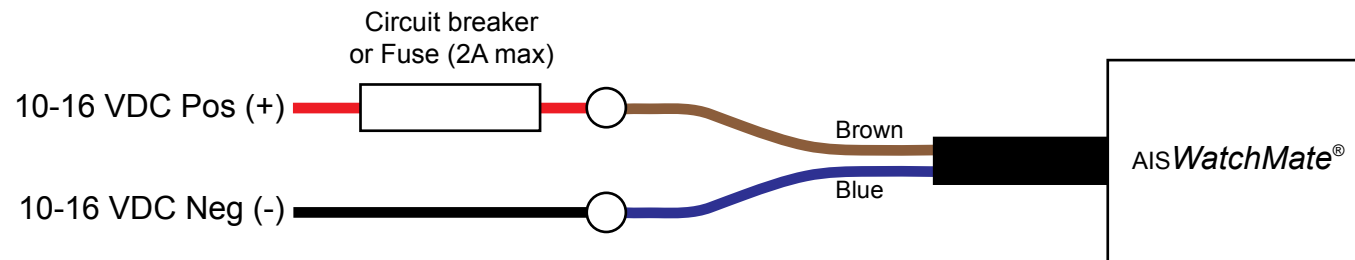
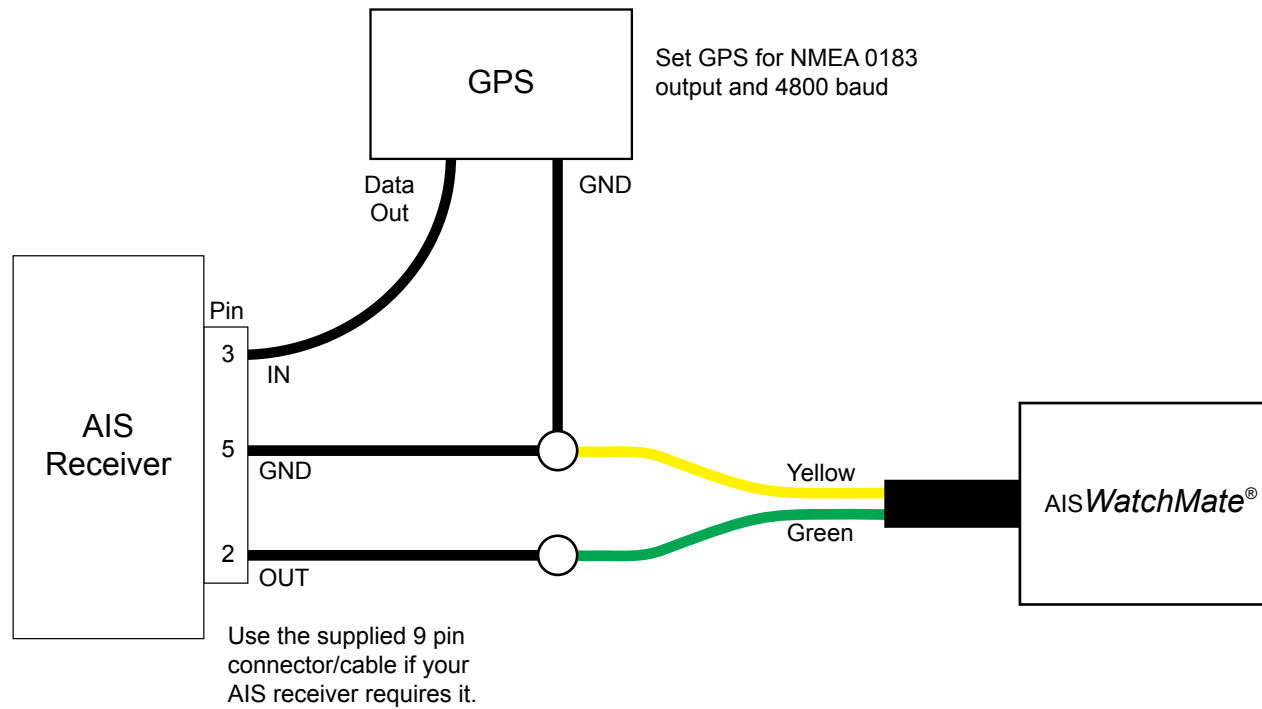


## AIS*WatchMate* Power Supply Wiring Diagram

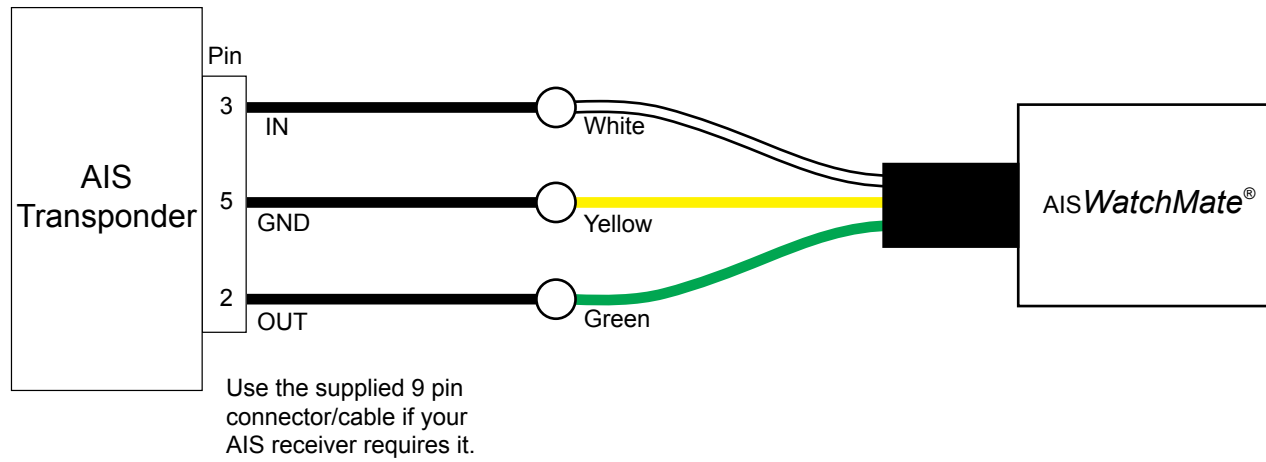


## AIS WatchMate Wiring Diagram for GPS and AIS Receiver



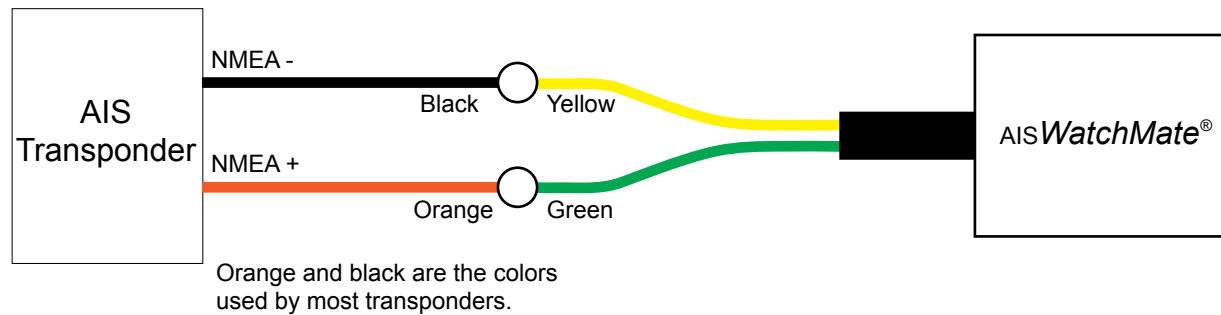


## AIS*WatchMate* Wiring Diagram for AIS Transponder



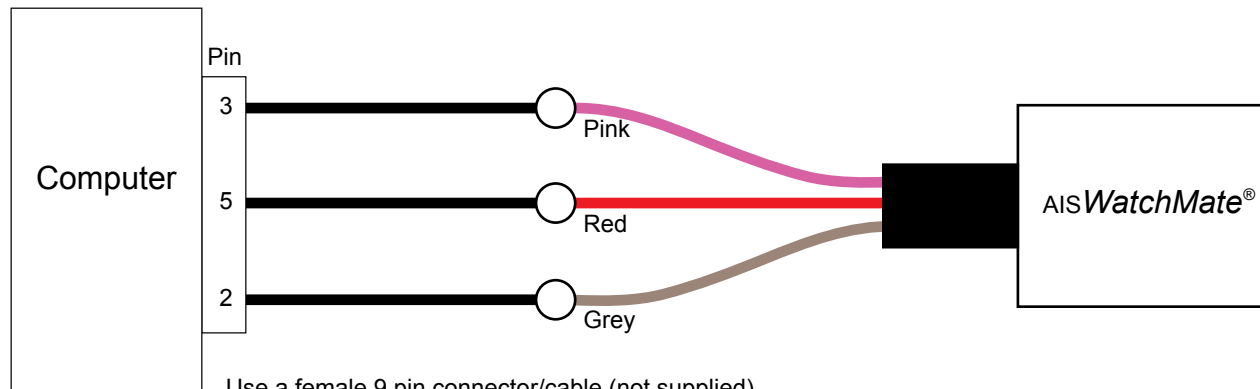
## AIS*WatchMate* Wiring Diagram for AIS Transponder Using NMEA Connections

Use this setup if you want to make the 9-pin connector on your transponder available for connecting to a computer



Orange and black are the colors used by most transponders.  
Please check your transponder manual to ensure this is correct.

## AIS*WatchMate* Wiring Diagram for Computer



Use a female 9 pin connector/cable (not supplied).  
You may also require a USB-to-serial adapter if your  
computer does not have a 9 pin serial connection.

# AISWatchMate Wiring Diagram for External Alarm or Indicator

